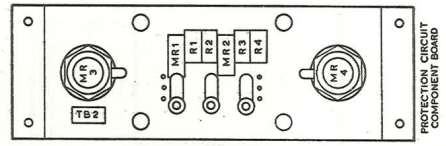
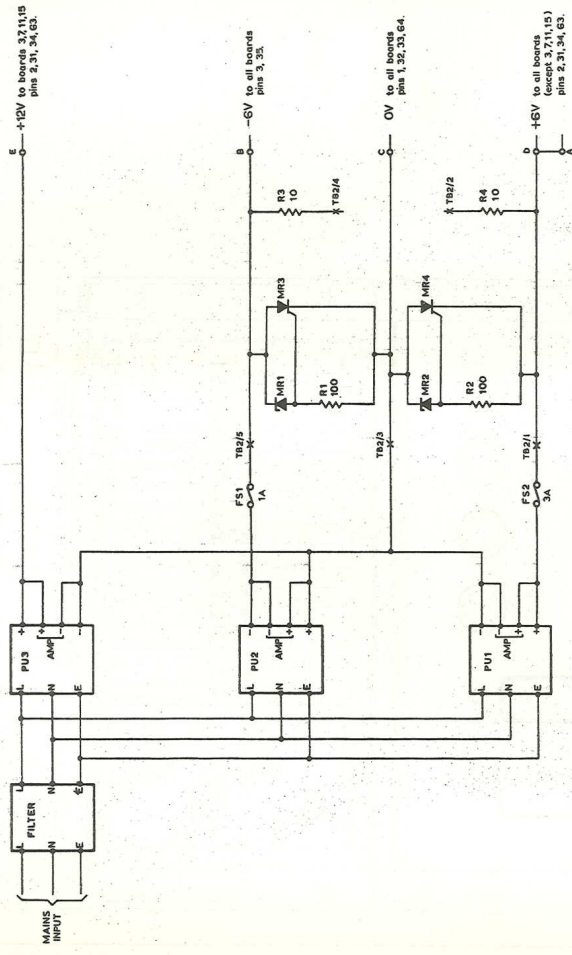


GENERAL VIEW

Figure 1 ISSUE

900.
4.3.2.



COMPONENT TABLE		
COMP	VALUE	TOL % CAT No.
R1,2	100	.5 5662
R3,4	10	5 5823
MR1,2	ZENER DIODE	2569
MR3,4	CONTROL RECTIFIERS	1121
FS1	1A	4287
FS2	3A	615
Filterholder		622
Filter	1 phase 2.5 Amp	PS 301
PU1,2	Power Supply ELV 100	11258
PU3	Power Supply ELV 500	11186

Figure 2 (ISSUE 2)

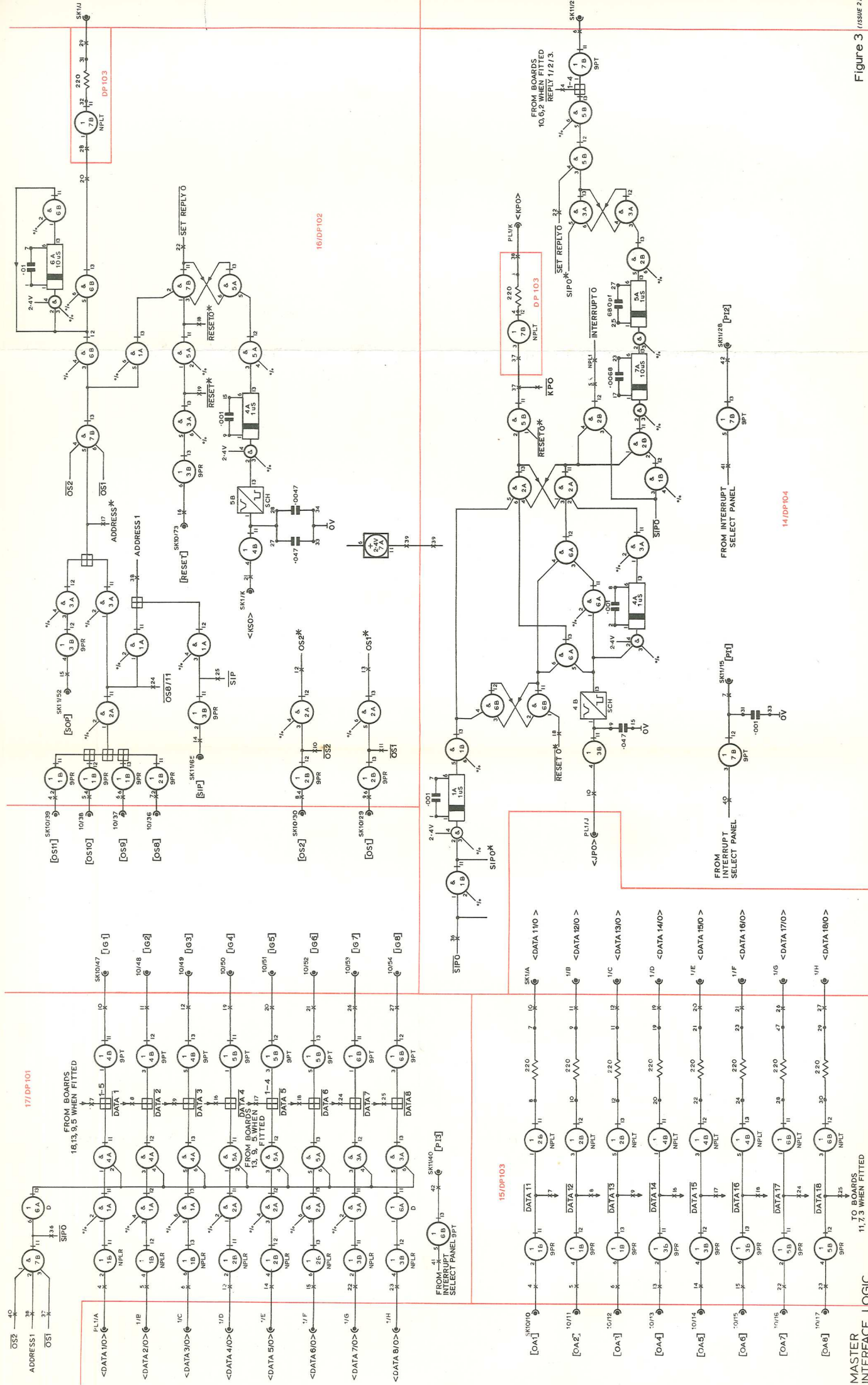


Figure 3 (ISSUE 2)

MASTER INTERFACE LOGIC

BOARD TYPE	BOARD POSITION	1A	2A	3A	4A	5A	6A	7A	1B	2B	3B	4B	5B	6B	7B
DP101	17	01	01	01	01	01	15		36	36	36	11	11	11	02
DP102	16	01	01	01	129	08	129	08	12	12	12	31	32	31	02
DP103	15								12	35	12	35	12	35	35
DP104	14, 10, 5, 8	129	02	01	129	38	01	38	01	01	31	32	01	01	11
DP105	13, 9	01	01			15			36	01	36	01	36	01	02
DP106	12, 4	01	129	129	01				02	01	31	32			
DP107	11, 3, 7								35	35	35	35			
DP108	18								12	01	01	01	01	01	

BOARD TYPE	BOARD POSITION	G. AREA PAD LOCATION	VALUE	TOLERANCE + - %	CAT. NO.
DP102	16	1/7	0-01	5	7922
		9/15	-001	5	7917
DP106	12, 8, 4	2/7/33	0-047		7044
		28/34	-0047		7920
DP103	15	3/4 7/6 9/10			
		11/12 19/20 21/22			
DP107	11, 7, 3	23/24, 27/28, 29/30	220	5	9024
		31/32			
DP104	14, 10, 6, 2	1/7 2/6 31/33	-001	5	7917
		9/15	0-047	5	7044
		17/23	0-0068	5	7921
		23/27	680PF	5	11361
ALL BOARDS		C1, C2, C3,	10	20	9137

LOGIC BOARD COMPONENTS

Figure 5 (ISSUE 2)

900
4.3.2.

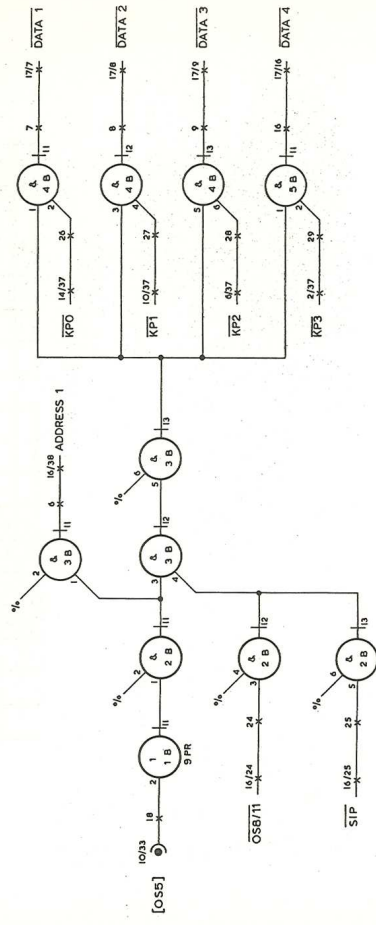


Figure 6 (ISSUE 2)